

PS SERIES

Soft Closing Partial Extension Concealed Slide (with Locking Pins)



Options

- Available with optional elongated holes.

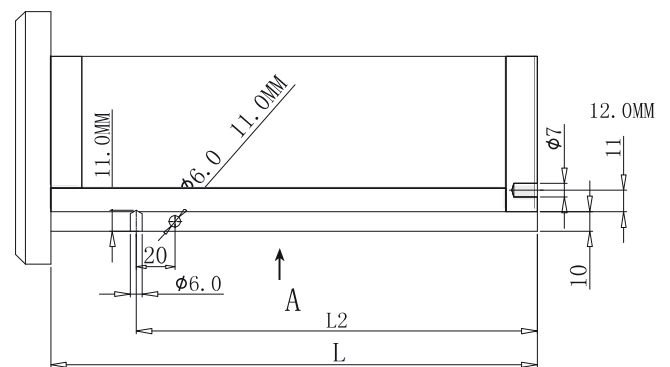
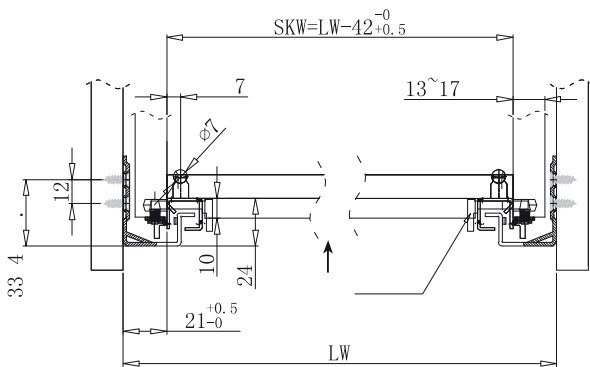
Specification

Function	Soft Closing
Extension	Partial Extension
Locking Accessory	Locking Pins
Available Sizes	250 mm - 550 mm
Load Capacity	Up to 25 kg
Thickness	1.5 x 1.5 mm
Material	Galvanized Steel
Packaging	10 Sets per Carton

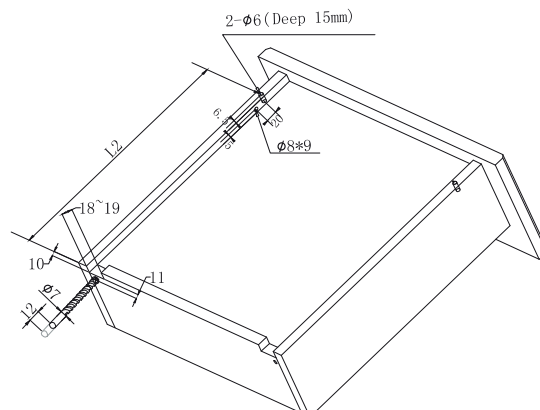
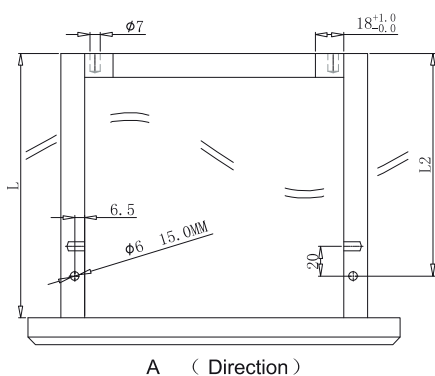
Installation Dimensions

SKW = Internal Drawer Width

LW = Internal Cabinet Width

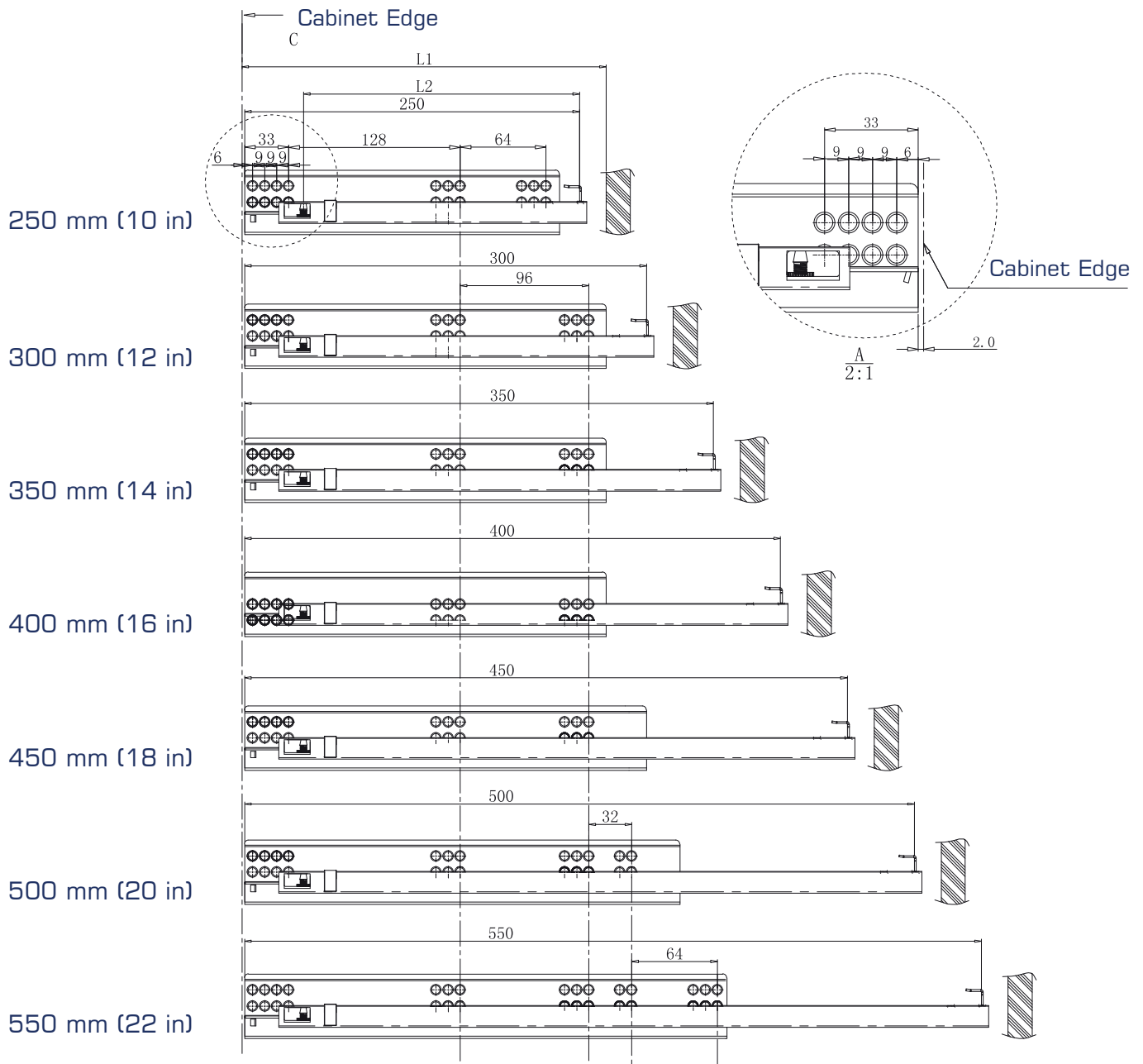


Drawer Side and Boring



Slide Mounting Holes

Hole Pattern



Measurements Table

Item No	Slide Length (L)		Minimum Cabinet Inner Depth (L1)	Packaging (sets/carton)
PSS0250W	10"	250 mm	269 mm	10
PSS0300W	12"	300 mm	319 mm	10
PSS0350W	14"	350 mm	369 mm	10
PSS0400W	16"	400 mm	419 mm	10
PSS0450W	18"	450 mm	469 mm	10
PSS0500W	20"	500 mm	519 mm	10
PSS0550W	22"	550 mm	569 mm	10