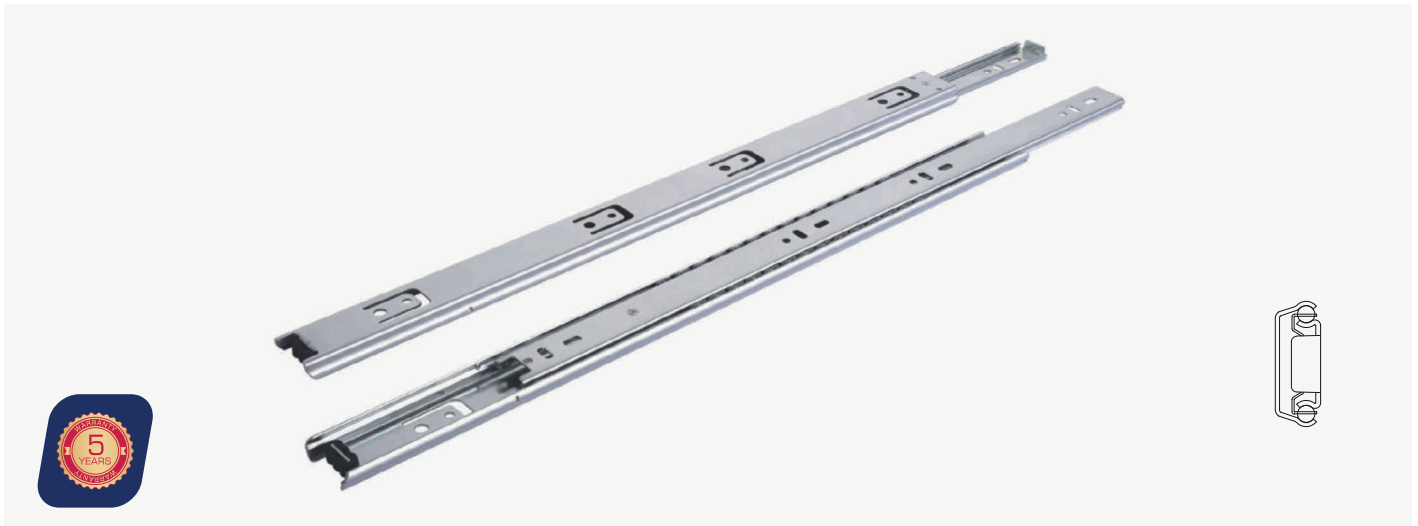


# TW SERIES

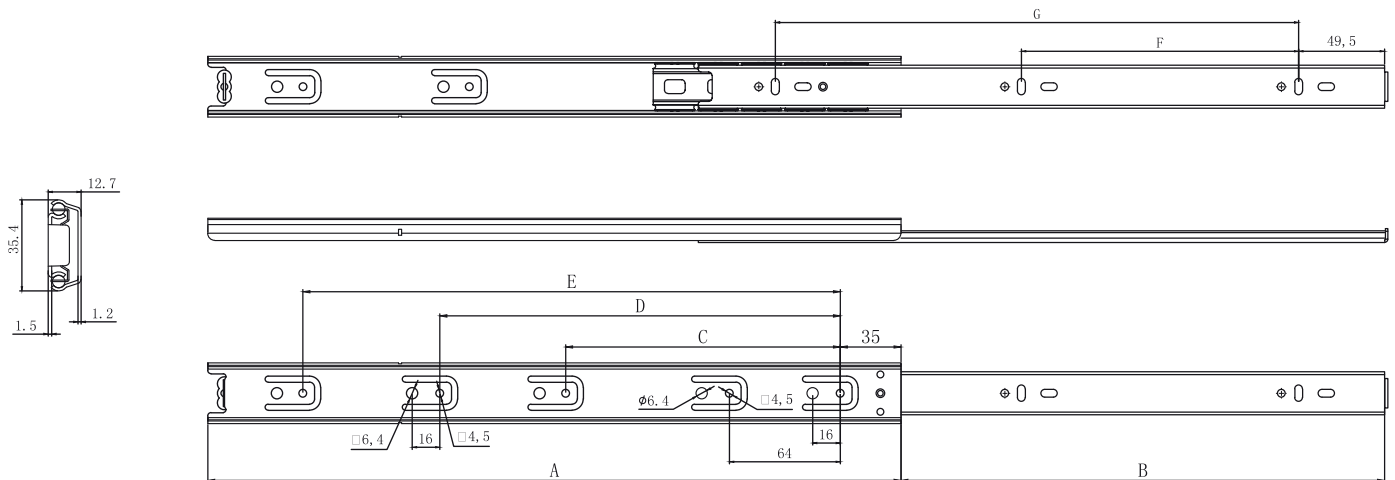
## Partial Extension Ball Bearing Drawer Slide (35 mm Profile)



### Specification

<b>Function</b>	Regular	<b>Thickness</b>	1.5 x 1.5 mm
<b>Extension</b>	Partial Extension	<b>Release</b>	Separable: Equipped with a release lever allowing for easy removal and return of drawer.
<b>Available Sizes</b>	250 mm - 600 mm	<b>Finish</b>	Galvanized or Black
<b>Load Capacity</b>	Up to 25 kg	<b>Packaging</b>	15 Sets per Carton
<b>Slide Width</b>	35 mm		
<b>Assembly Height</b>	12.7 mm ± 0.2		

### Technical Design



### Measurement Table

Item No	A (mm)	B (mm)	C (mm)	D (mm)	E (mm)	F (mm)	G (mm)
TWS0250R	250	156	160				160
TWS0300R	300	194	224			96	224
TWS0350R	350	232	224			96	224
TWS0400R	400	270	224	320		128	288
TWS0450R	450	308	224	352		160	352
TWS0500R	500	346	224	352		192	384
TWS0550R	550	384	224	352	448	224	448
TWS0600R	600	422	224	352	448	224	480