

TP SERIES

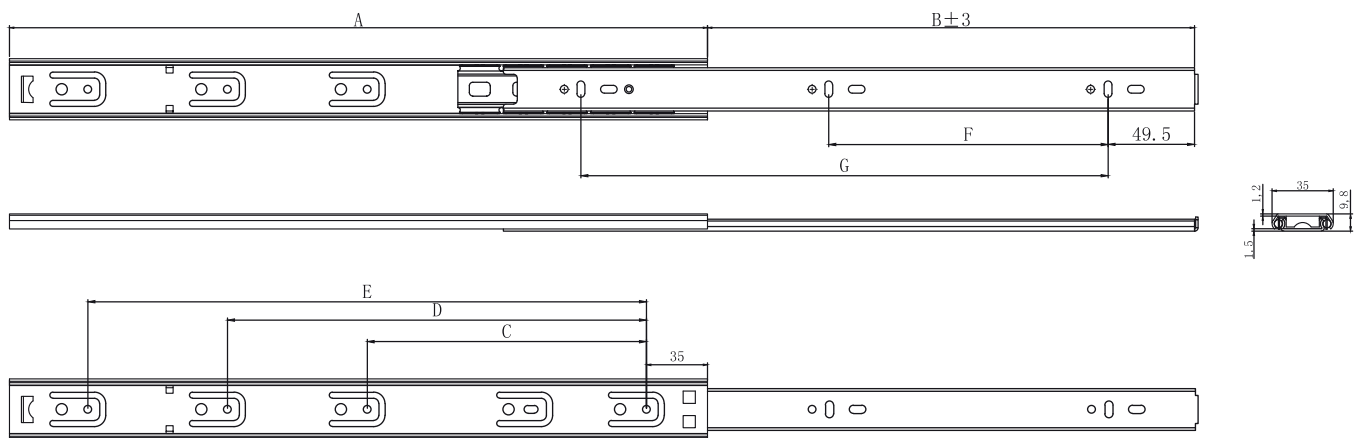
Partial Extension Ball Bearing Drawer Slide (35 mm Profile)



Specification

Function	Regular	Thickness	1.4 x 1.4 mm
Extension	Partial Extension	Release	Separable: Equipped with a release lever allowing for easy removal and return of drawer.
Available Sizes	250 mm - 600 mm	Finish	Galvanized or Black
Load Capacity	Up to 25 kg	Packaging	15 Sets per Carton
Slide Width	35 mm		
Assembly Height	9.8 mm ± 0.2		

Technical Design



Measurement Table

Item No	A (mm)	B (mm)	C (mm)	D (mm)	E (mm)	F (mm)	G (mm)
TPS0250R	250	156	160			176	
TPS0300R	300	194	224			96	224
TPS0350R	350	323	256			128	256
TPS0400R	400	270	224	320		128	320
TPS0450R	450	308	224	352		160	352
TPS0500R	500	346	224	320	416	192	416
TPS0550R	550	384	224	352	448	224	448
TPS0600R	600	422	224	352	480	256	512