

TD SERIES

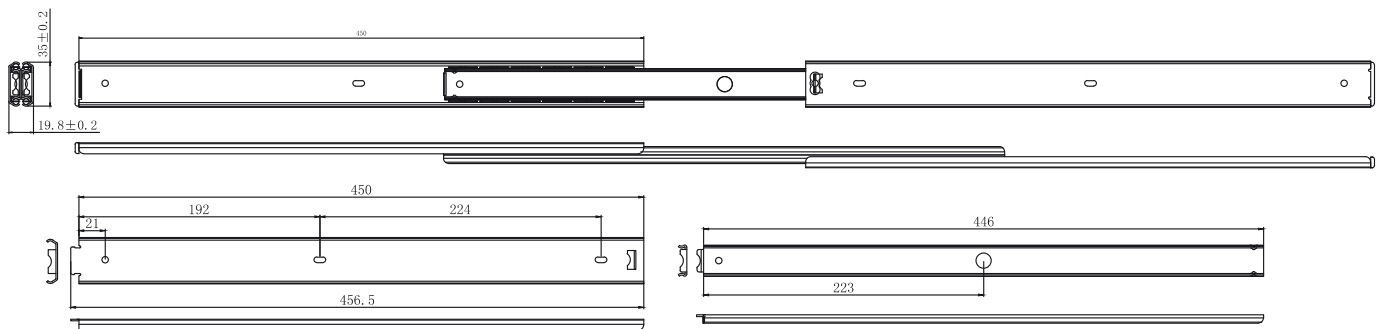
Two-way Travel Double Deck Ball Bearing Drawer Slide (35 mm Profile)



Specification

Function	Two-way Travel	Thickness	1.2 x 1.2 x 1.2 mm
Extension	NONE	Release	Non-Separable: Runner and ball cage form a single unit.
Available Sizes	300 mm - 400 mm	Finish	Zinc Plated
Load Capacity	Up to 25 kg	Packaging	15 Sets per Carton
Slide Width	35 mm		
Assembly Height	19.6 mm ± 0.2		

Technical Design



Measurement Table

Item No	A (mm)	B (mm)	C (mm)
TDN0300T	300	650	216
TDN0350T	350	700	266
TDN0400T	400	750	316