

LT SERIES

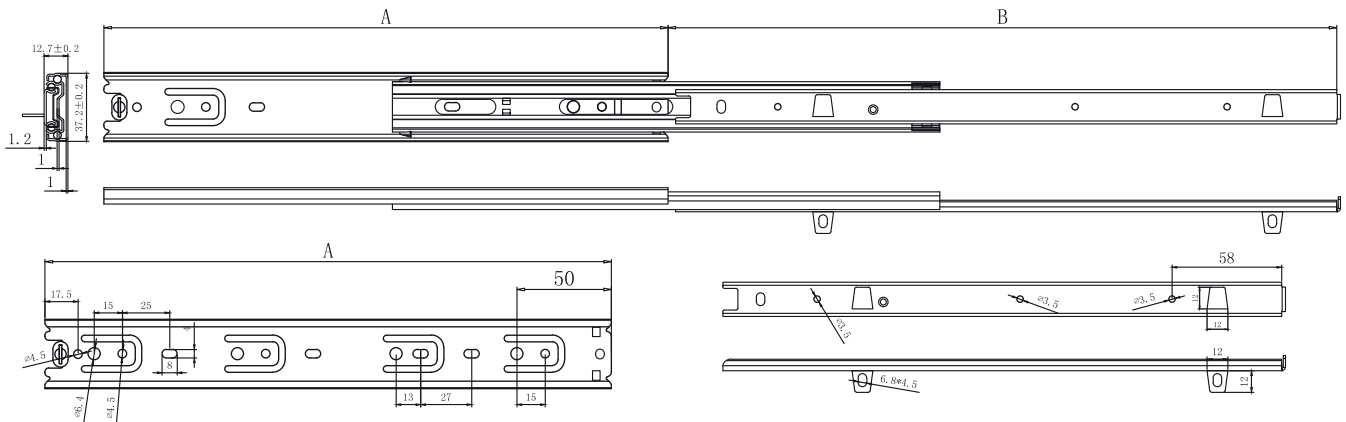
Full Extension Ball Bearing Drawer Slide with Mounting Tabs (37 mm Profile)



Specification

Function	Regular	Thickness	1.2 x 1.2 x 1.2 mm
Extension	Full Extension	Release	Separable: Equipped with a release lever allowing for easy removal and return of drawer.
Available Sizes	250 mm - 600 mm	Finish	Galvanized or Black
Load Capacity	Up to 30 kg	Packaging	15 Sets per Carton
Slide Width	37 mm		
Assembly Height	12.7 mm ± 0.2		

Technical Design



Measurement Table

Item No	A (mm)	B (mm)	C (mm)	D (mm)	E (mm)	F (mm)	G (mm)
LTF0250R	250	250	160				192
LTF0300R	300	300	224			96	224
LTF0350R	350	350	224			128	256
LTF0400R	400	400	224	320		160	320
LTF0450R	450	450	224	352		160	352
LTF0500R	500	500	224	352		192	384
LTF0550R	550	550	224	352	448	224	448
LTF0600R	600	600	224	352	448	224	480