

# HS SERIES

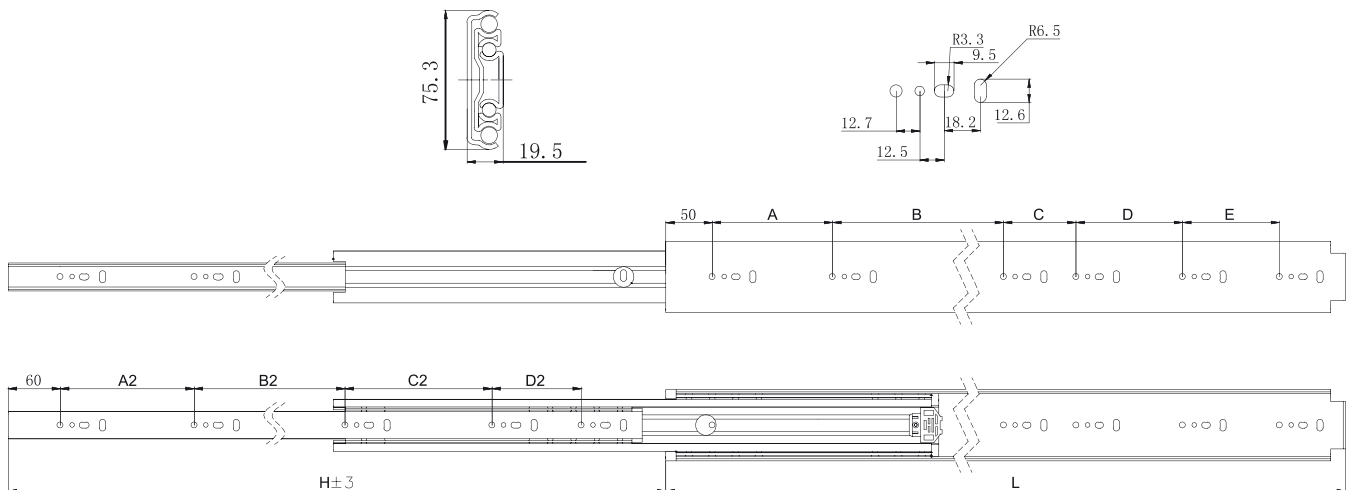
## Heavy Duty Full Extension Ball Bearing Drawer Slide (76 mm Profile)



### Specification

<b>Function</b>	Regular	<b>Thickness</b>	2.5 x 2.2 x 2.5 mm
<b>Extension</b>	Full Extension	<b>Release</b>	Separable: Equipped with a release lever allowing for easy removal and return of drawer.
<b>Available Sizes</b>	300 mm - 1800 mm	<b>Finish</b>	Galvanized or Black
<b>Load Capacity</b>	Up to 225 kg	<b>Packaging</b>	3 Sets per Carton
<b>Slide Width</b>	76 mm		
<b>Assembly Height</b>	19.8 mm ± 0.2		

### Technical Design



## Measurement Table

Item No	A (mm)	B (mm)	C (mm)	D (mm)	E (mm)	F (mm)	A2 (mm)	B2 (mm)	C2 (mm)	D2 (mm)
HSF0300R	32	192								
HSF0350R	50	224					160			
HSF0400R	50	224					224			
HSF0450R	50	192	128				256			
HSF0500R	50	224	160				288			
HSF0550R	50	256	160				352			
HSF0600R	50	256	192				288	128		
HSF0650R	50	128	192	192			320	160		
HSF0700R	50	160	192	192			128	224	160	
HSF0750R	50	160	224	224			160	256	160	
HSF0800R	50	192	224	224			160	256	192	
HSF0850R	50	192	256	224			160	320	192	
HSF0900R	50	192	288	224			160	352	192	
HSF0950R	50	192	288	256			160	352	256	
HSF1000R	50	192	256	224	160		192	352	256	
HSF1050R	50	192	320	224	160		192	352	288	
HSF1100R	50	224	320	224	192		192	352	288	
HSF1150R	50	224	320	224	224		224	352	320	
HSF1200R	50	224	320	256	224		224	384	320	
HSF1250R	50	224	320	256	256		224	384	352	
HSF1300R	50	224	352	256	256		256	384	352	
HSF1350R	50	256	352	256	288		256	384	384	
HSF1400R	50	256	384	288	288		288	416	384	
HSF1450R	50	320	352	288	320		320	448	384	
HSF1500R	50	320	384	288	320		320	480	416	
HSF1550R	50	320	416	288	384		320	512	544	
HSF1600R	50	352	416	320	416		352	512	576	
HSF1650R	50	352	416	384	384		384	512	576	
HSF1700R	50	288	352	384	256	288	320	352	384	416
HSF1750R	50	288	352	384	288	320	320	352	416	448
HSF1800R	50	288	352	320	384	320	320	384	448	480