

# HF SERIES

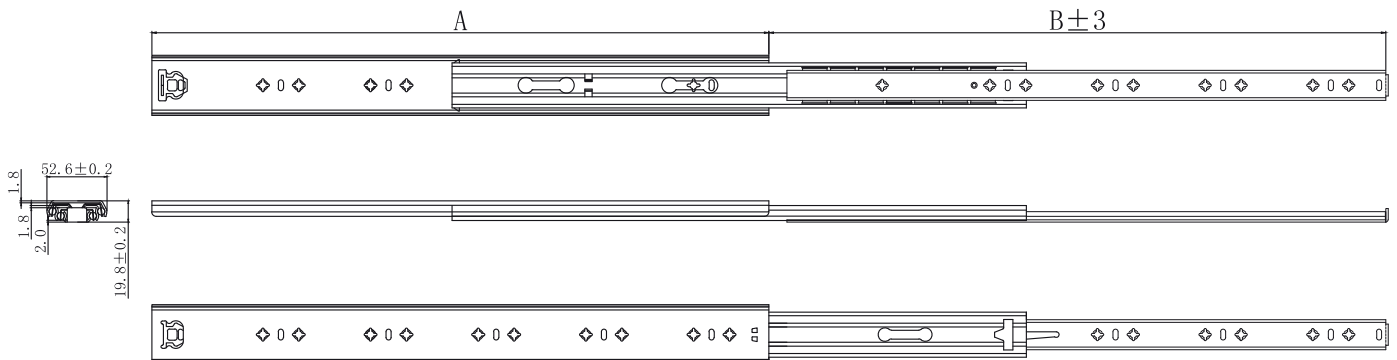
## Heavy Duty Full Extension Ball Bearing Drawer Slide (53 mm Profile)



### Specification

<b>Function</b>	Regular	<b>Thickness</b>	2.0 x 2.0 x 2.0 mm
<b>Extension</b>	Full Extension	<b>Release</b>	Separable: Equipped with a release lever allowing for easy removal and return of drawer.
<b>Available Sizes</b>	300 mm - 850 mm	<b>Finish</b>	Galvanized or Black
<b>Load Capacity</b>	Up to 100 kg	<b>Packaging</b>	6 Sets per Carton
<b>Slide Width</b>	53 mm		
<b>Assembly Height</b>	19.8 mm ± 0.2		

### Technical Design



### Measurement Table

Item No	A (mm)	B (mm)	C (mm)	D (mm)	E (mm)	F (mm)	G (mm)	H (mm)	I (mm)	J (mm)	K (mm)	L (mm)	M (mm)
HFF0300R	300	300	96	192				224					
HFF0350R	350	350	96	192				256					
HFF0400R	400	400	96	192	288			192	320				
HFF0450R	450	450	96	192	288			192	320				
HFF0500R	500	500	96	192	288	384		192	320	416			
HFF0550R	550	550	96	192	288	384		192	320	416	512		
HFF0600R	600	600	96	192	288	384	480	192	320	416	512	576	
HFF0650R	650	650	96	192	288	384	480	192	320	416	512	576	
HFF0700R	700	700	96	192	288	384	480	192	320	416	512	576	
HFF0750R	750	750	96	192	288	384	480	192	320	416	512	576	
HFF0800R	800	800	96	192	288	384	480	192	320	416	512	576	670
HFF0850R	850	850	96	192	288	384	480	192	320	416	512	576	734