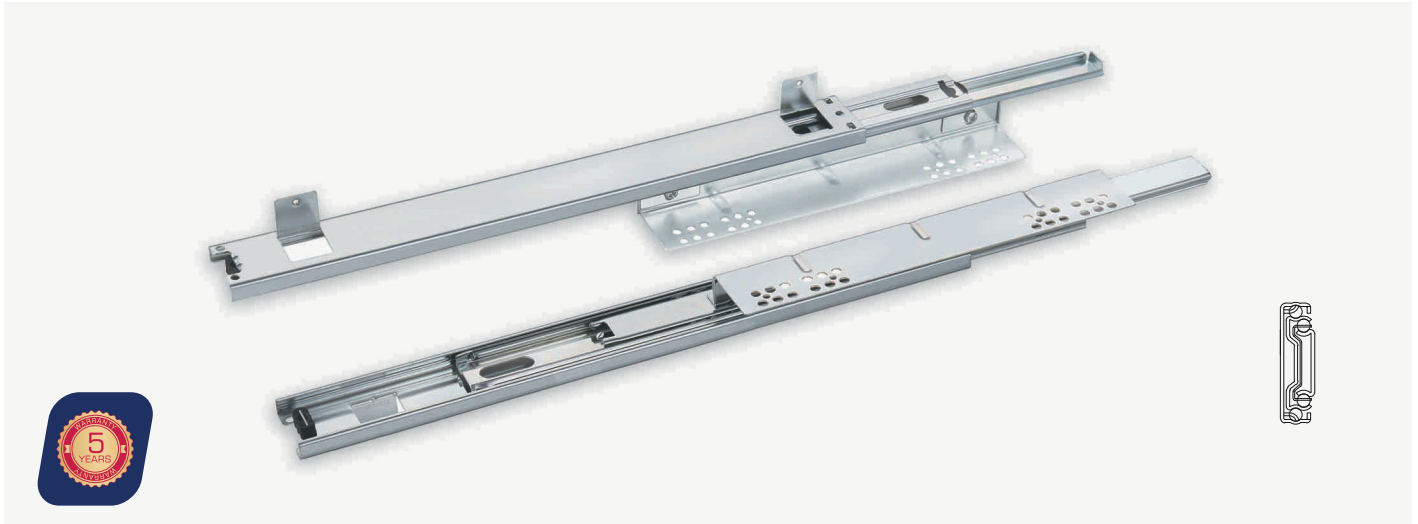


# BU SERIES

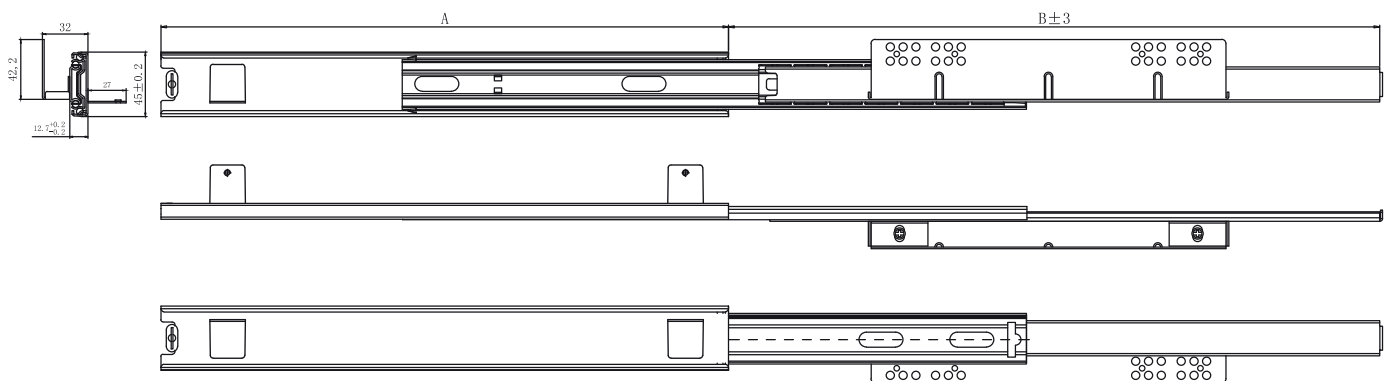
## Full Extension Ball Bearing Drawer Slide with U-Brackets (for Wire Baskets)



### Specification

<b>Function</b>	Regular	<b>Thickness</b>	1.2 x 1.2 x 1.4 mm
<b>Extension</b>	Full Extension	<b>Release</b>	Separable: Equipped with a release lever allowing for easy removal and return of drawer.
<b>Available Sizes</b>	400 mm - 500 mm	<b>Finish</b>	Galvanized or Black
<b>Load Capacity</b>	Up to 45 kg	<b>Packaging</b>	12 Sets per Carton
<b>Slide Width</b>	45 mm		
<b>Assembly Height</b>	12.7 mm $\pm$ 0.2		

### Technical Design



### Measurement Table

Item No	A (mm)	B (mm)	C (mm)	D (mm)
BUF0400R	400	400	254	48
BUF0450R	450	450	304	98
BUF0500R	500	500	354	138