

BT SERIES

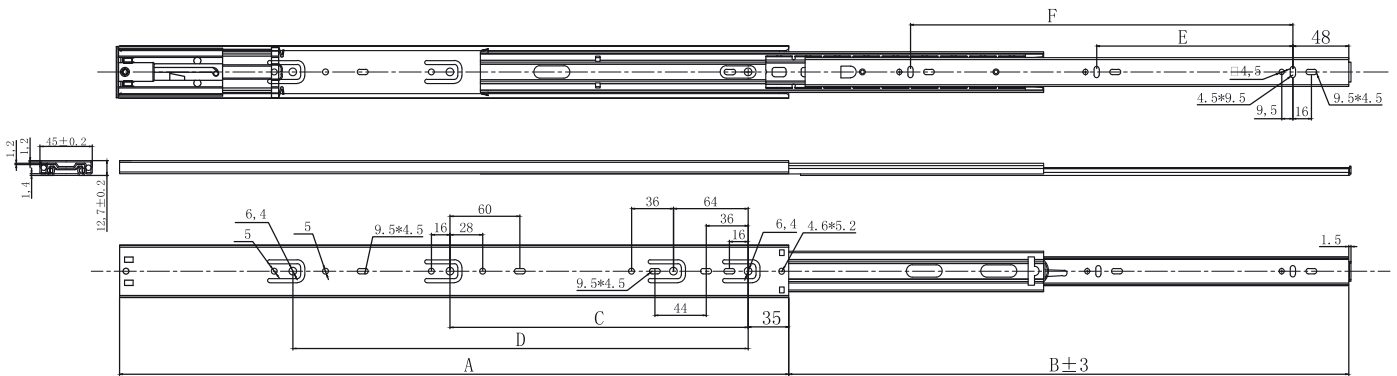
Push-to-Open Full Extension Ball Bearing Drawer Slide



Specification

Function	Push-to-open	Thickness	1.2 x 1.2 x 1.4 mm
Extension	Full Extension	Release	Separable: Equipped with a release lever allowing for easy removal and return of drawer.
Available Sizes	300 mm - 600 mm	Finish	Galvanized or Black
Load Capacity	Up to 45 kg	Packaging	15 Sets per Carton
Slide Width	45 mm		
Assembly Height	12.7 mm ± 0.2		

Technical Design



Measurement Table

Item No	A (mm)	B (mm)	C (mm)	D (mm)	E (mm)	F (mm)
BTFO300P	300	300	128			192
BTFO350P	350	350	192		128	256
BTFO400P	400	400	224		160	288
BTFO450P	450	450	256		160	352
BTFO500P	500	500	320		192	384
BTFO550P	550	550	256	384	224	448
BTFO600P	600	600	256	416	224	480