

BKF SERIES

Fire Rated Standard Brass Euro Key and Turn Cylinder



Specification

- Key-knob type cylinder compatible with all standard euro profile mortise locks.
- Length starts at 30/30, available in 5 mm increments up to 80/80, both in offset and equal lengths.
- Passed over 100,000 cycles in durability tests.
- Solid brass pins and stainless steel 304 springs for high precision and extended service life.
- Suitable for both indoor and outdoor applications due to high corrosion resistance even in extreme temperatures between -25 °C and +65 °C.
- Suitable for use on metal and timber fire doors.
- Supplied with 3 nickel-plated brass keys.
- Key alike (KA) and master keyed (MK) cylinders available (as special order).

CE Classification

160B0C60



Keyway	Classic
Material	HPB59-1 Brass
Section Size	Ø17x33x10 mm
Cam	R15 x 6.5 Sintered Steel
Pins	6 Movable Solid Brass Detainers
Keys	3 Nickel-plated 2.2 mm Solid Brass Keys
Fixing Screw	Stainless Steel 304 Fixing Screw
Packaging	50 Units per Carton

Security Features

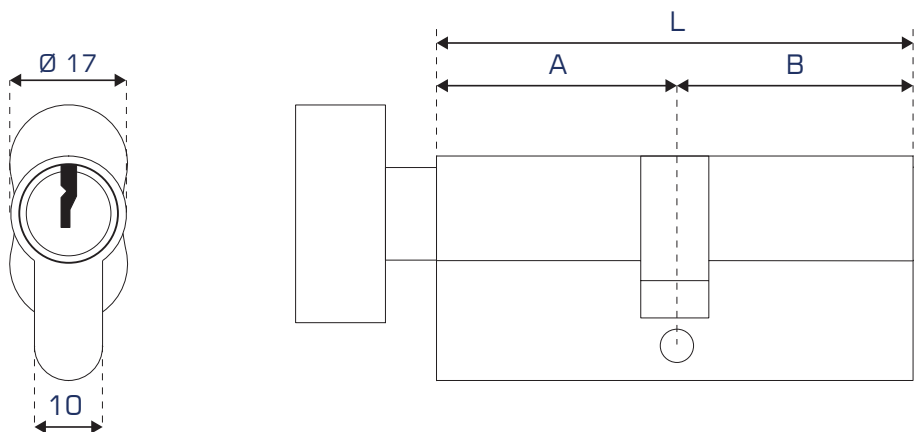
- 6 movable pins (detainers) allowing for higher security with over 100,000 different combinations.
- Sintered steel cam protrudes at 30° angle out of cylinder body when key is pulled out, making it impossible for the cylinder to be drawn out of lock by force.

Certification

- 10 year warranty: The performance of this product and all its variants are covered by Wilroy's hassle-free warranty.
- CE marked and fully tested to EN 1303:2015.
- CE marked and fully tested to EN 1634-1:2014 for suitability of use on fire doors.
- Fully compliant with DIN 18252.

Digit	Grade	Description
2 nd	6	Passed 100,000 test cycles. This is the highest possible grade according to EN 1303:2015 standards.
4 th	B	Suitable and approved for use on fire/smoke door assemblies. Tested according to EN 1634-1:2014 standards, and achieved fire resistance of 260 minutes on steel fire doors and 111 minutes on timber fire doors.
6 th	C	High corrosion resistance. Temperature requirement between -25 °C and +65 °C.
7 th	6	6 movable elements within the cylinder, resulting in more than 100,000 effective differs for the key with torque resistance of 15 Nm with no coding on key disclosing combination. This is the highest possible grade according to EN 1303:2015 standards.

Technical Design



Finishes

- AB - Antique Brass
- AC - Antique Copper
- BP - Matted Black
- GM - Gun Metal
- PB - Polished Brass
- PN - Polished Nickel
- PS - Polished Stainless Steel
- RG - Rose Gold
- SB - Satin Brass
- SN - Satin Nickel
- SS - Satin Stainless Steel

VARIANTS

BKF			
Catalog#	A (mm)	B (mm)	Length
BKF3030	30	30	30/30
BKF3035	30	35	30/35
BKF3040	30	40	30/40
BKF3045	30	45	30/45
BKF3050	30	50	30/50
BKF3055	30	55	30/55
BKF3060	30	60	30/60
BKF3065	30	65	30/65
BKF3070	30	70	30/70
BKF3075	30	75	30/75
BKF3080	30	80	30/80
BKF3530	35	30	35/30
BKF3535	35	35	35/35
BKF3540	35	40	35/40
BKF3545	35	45	35/45
BKF3550	35	50	35/50
BKF3555	35	55	35/55
BKF3560	35	60	35/60
BKF3565	35	65	35/65
BKF3570	35	70	35/70
BKF3575	35	75	35/75
BKF3580	35	80	35/80
BKF4030	40	30	40/30
BKF4035	40	35	40/35
BKF4040	40	40	40/40
BKF4045	40	45	40/45
BKF4050	40	50	40/50
BKF4055	40	55	40/55
BKF4060	40	60	40/60
BKF4065	40	65	40/65
BKF4070	40	70	40/70
BKF4075	40	75	40/75
BKF4080	40	80	40/80
BKF4530	45	30	45/30
BKF4535	45	35	45/35
BKF4540	45	40	45/40
BKF4545	45	45	45/45
BKF4550	45	50	45/50
BKF4555	45	55	45/55
BKF4560	45	60	45/60
BKF4565	45	65	45/65
BKF4570	45	70	45/70
BKF4575	45	75	45/75
BKF4580	45	80	45/80
BKF5030	50	30	50/30
BKF5035	50	35	50/35

Catalog#	A (mm)	B (mm)	Length
BKF5040	50	40	50/40
BKF5045	50	45	50/45
BKF5050	50	50	50/50
BKF5055	50	55	50/55
BKF5060	50	60	50/60
BKF5065	50	65	50/65
BKF5070	50	70	50/70
BKF5075	50	75	50/75
BKF5080	50	80	50/80
BKF5530	55	30	55/30
BKF5535	55	35	55/35
BKF5540	55	40	55/40
BKF5545	55	45	55/45
BKF5550	55	50	55/50
BKF5555	55	55	55/55
BKF5560	55	60	55/60
BKF5565	55	65	55/65
BKF5570	55	70	55/70
BKF5575	55	75	55/75
BKF5580	55	80	55/80
BKF6030	60	30	60/30
BKF6035	60	35	60/35
BKF6040	60	40	60/40
BKF6045	60	45	60/45
BKF6050	60	50	60/50
BKF6055	60	55	60/55
BKF6060	60	60	60/60
BKF6065	60	65	60/65
BKF6070	60	70	60/70
BKF6075	60	75	60/75
BKF6080	60	80	60/80
BKF6530	65	30	65/30
BKF6535	65	35	65/35
BKF6540	65	40	65/40
BKF6545	65	45	65/45
BKF6550	65	50	65/50
BKF6555	65	55	65/55
BKF6560	65	60	65/60
BKF6565	65	65	65/65
BKF6570	65	70	65/70
BKF6575	65	75	65/75
BKF6580	65	80	65/80
BKF7030	70	30	70/30
BKF7035	70	35	70/35
BKF7040	70	40	70/40
BKF7045	70	45	70/45
BKF7050	70	50	70/50

Catalog#	A (mm)	B (mm)	Length
BKF7055	70	55	70/55
BKF7060	70	60	70/60
BKF7065	70	65	70/65
BKF7070	70	70	70/70
BKF7075	70	75	70/75
BKF7080	70	80	70/80
BKF7530	75	30	75/30
BKF7535	75	35	75/35
BKF7540	75	40	75/40
BKF7545	75	45	75/45
BKF7550	75	50	75/50
BKF7555	75	55	75/55
BKF7560	75	60	75/60
BKF7565	75	65	75/65
BKF7570	75	70	75/70
BKF7575	75	75	75/75
BKF7580	75	80	75/80
BKF8030	80	30	80/30
BKF8035	80	35	80/35
BKF8040	80	40	80/40
BKF8045	80	45	80/45
BKF8050	80	50	80/50
BKF8055	80	55	80/55
BKF8060	80	60	80/60
BKF8065	80	65	80/65
BKF8070	80	70	80/70
BKF8075	80	75	80/75
BKF8080	80	80	80/80