

HW SERIES

HW Series 135° Slide-on Blind Corner Regular Concealed Hinge



Specification

Opening Angle	135°
Function	Auto Close
Plate Type	Slide On
Cup Depth	11.5 mm
Cup Diameter	35 mm
Drilling Distance	3 mm - 7 mm
Door Thickness	14 mm - 22 mm
Material	Cold Rolled Steel
Height Adjustment Range	Plate Adjustment
Overlay Adjustment Range	5 mm
Depth Adjustment Range	5 mm
Finish	Copper Nickel
Packaging	100 Units per Carton

Notable Features

- Specially designed for blind corners applications at a 135° angle (Lazy Suzan).

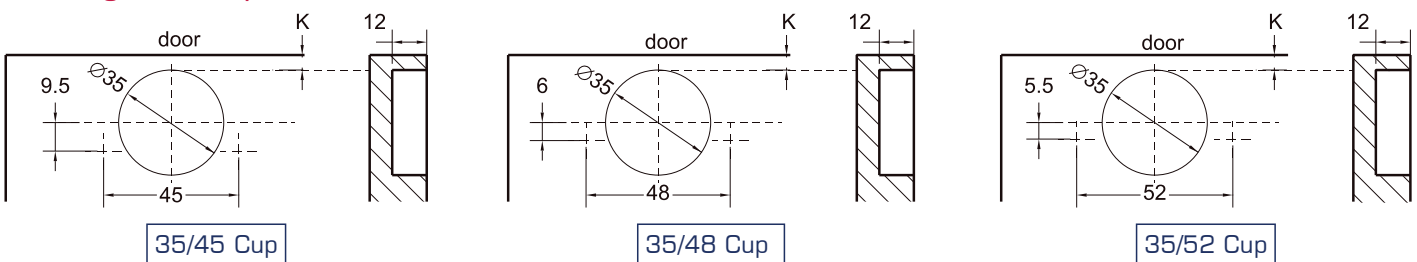


Full Overlay

Code: HWW110L

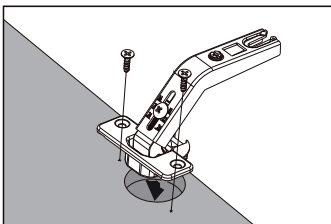
Additional Options: 1P - Individual Hinge, Caps for Arm and Cup, Mounting Plate and Screws in Sealed Bag
 2P - Pair of Hinges, Caps for Arm and Cup, Mounting Plates and Screws in Sealed Bag
 ND - No Damper

Drilling For Cup



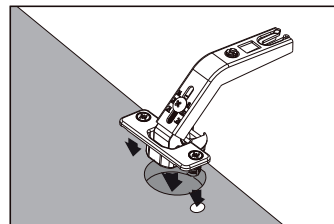
Cup Installation

Screw-on



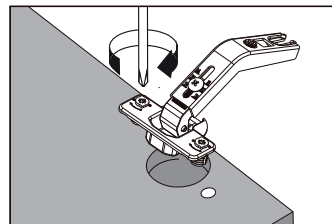
Installation Method	Code
Wood Screws	S2
Euro Screws	S4

Press-in



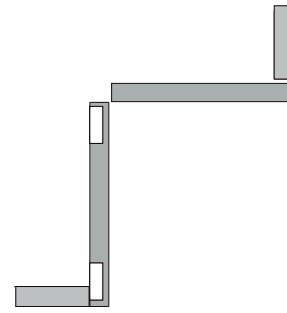
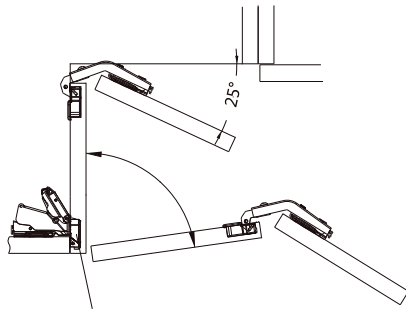
Installation Method	Code
8 mm Dowels	K5
10 mm Dowels	K6

LIGO



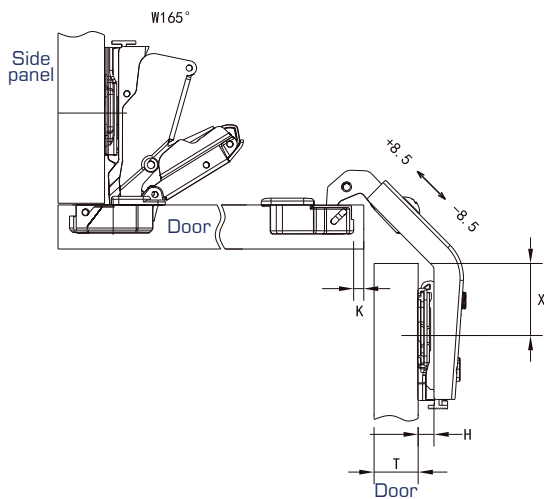
Installation Method	Code
8 mm Dowels	E5
10 mm Dowels	E6

Application



Overlay Table

Full Overlay



K = Boring distance

T = Door thickness

A = Minimum gap (A) for door with a door edge radius

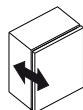
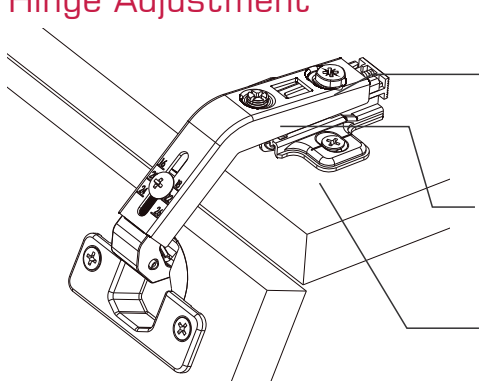
L = Gap between door and panel

Note:

The minimum parameters in the reveal tables are based on doors with straight, square edges. A rounded or beveled profile will change the minimum reveal required.

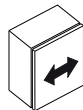
D	Door Thickness < 18 mm	22 mm > Door Thickness > 18 mm
H	2 mm	0 mm
X	37 mm	37 mm

Hinge Adjustment



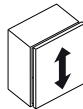
Depth Adjustment

Move the hinge laterally to adjust door gap.



Horizontal Adjustment

Rotate the hinge arm screw to increase or decrease door overlay.



Vertical Adjustment

Adjust the mounting plate to increase or decrease the door height.

Note:

The referenced adjustment range described is the product design range. The actual design of the cabinet and the drilling method may have a certain impact on the parameters.

Plate Options: RT RF