

# HW SERIES

## HW Series 135° Blind Corner Regular Concealed Hinge (Cam Adjustable)



### Specification

<b>Opening Angle</b>	135°
<b>Function</b>	Auto Close
<b>Plate Type</b>	Clip On
<b>Cup Depth</b>	11.5 mm
<b>Cup Diameter</b>	35 mm
<b>Drilling Distance</b>	3 mm - 7 mm
<b>Door Thickness</b>	14 mm - 22 mm
<b>Material</b>	Cold Rolled Steel
<b>Height Adjustment Range</b>	Plate Adjustment
<b>Overlay Adjustment Range</b>	5 mm
<b>Depth Adjustment Range</b>	3.8 mm
<b>Finish</b>	Copper Nickel
<b>Packaging</b>	100 Units per Carton

### Notable Features

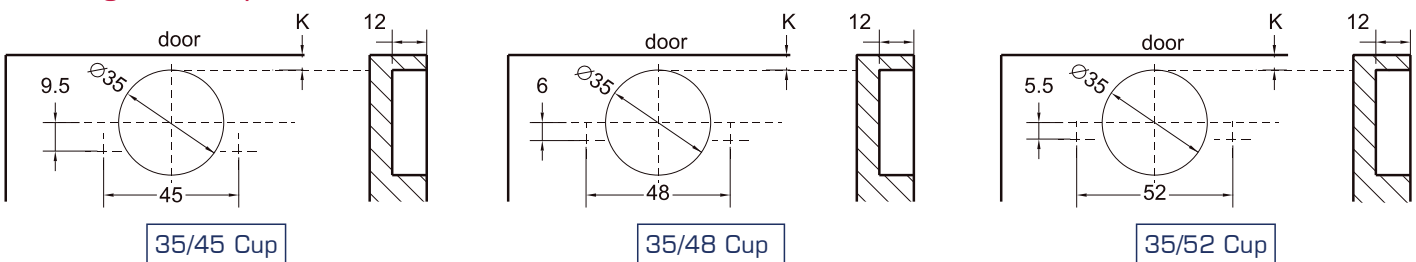
- Specially designed for blind corners applications at a 135° angle (Lazy Suzan).

**Full Overlay**

**Code: HWT210L**

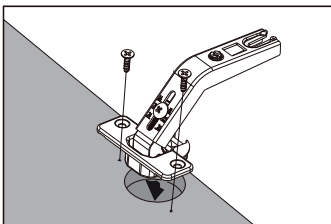
**Additional Options:** 1P - Individual Hinge, Caps for Arm and Cup, Mounting Plate and Screws in Sealed Bag  
 2P - Pair of Hinges, Caps for Arm and Cup, Mounting Plates and Screws in Sealed Bag  
 ND - No Damper

### Drilling For Cup



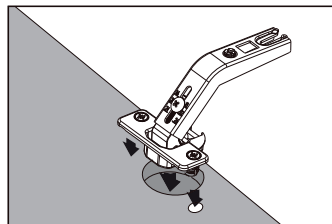
### Cup Installation

#### Screw-on



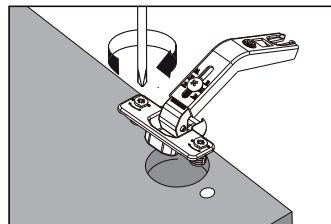
<b>Installation Method</b>	<b>Code</b>
Wood Screws	S2
Euro Screws	S4

#### Press-in



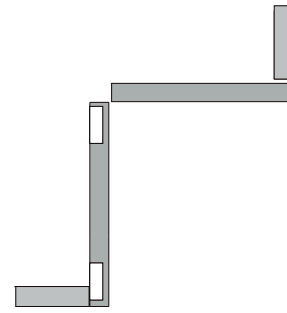
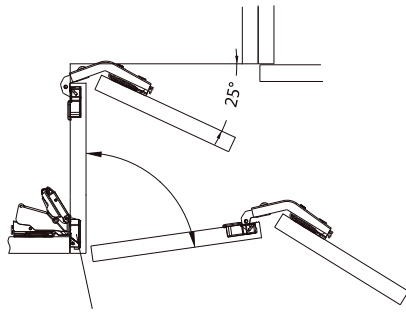
<b>Installation Method</b>	<b>Code</b>
8 mm Dowels	K5
10 mm Dowels	K6

#### LIGO



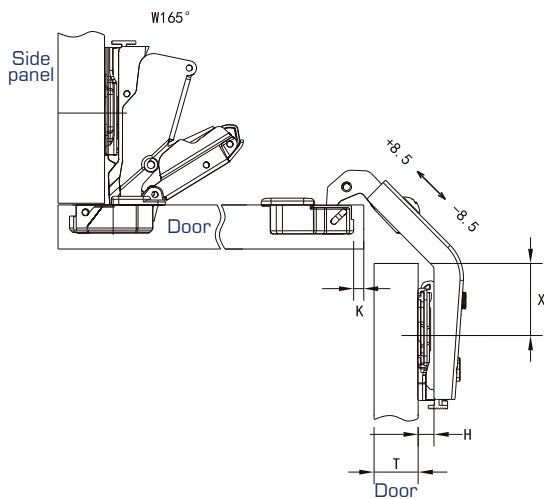
<b>Installation Method</b>	<b>Code</b>
8 mm Dowels	E5
10 mm Dowels	E6

## Application



## Overlay Table

### Full Overlay



K = Boring distance

T = Door thickness

A = Minimum gap (A) for door with a door edge radius

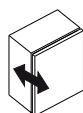
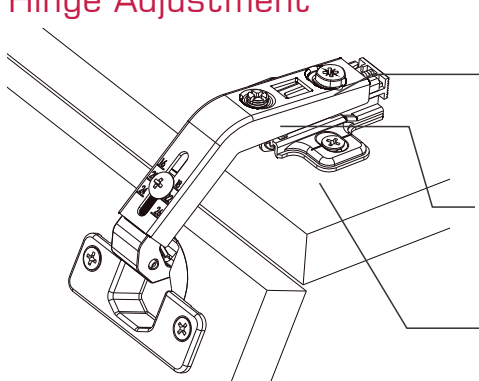
L = Gap between door and panel

#### Note:

The minimum parameters in the reveal tables are based on doors with straight, square edges. A rounded or beveled profile will change the minimum reveal required.

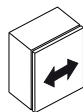
D	Door Thickness < 18 mm	22 mm > Door Thickness > 18 mm
H	2 mm	0 mm
X	37 mm	37 mm

## Hinge Adjustment



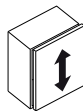
#### Depth Adjustment

Rotate the hinge arm cam to increase or decrease door gap.



#### Horizontal Adjustment

Rotate the hinge arm screw to increase or decrease door overlay.



#### Vertical Adjustment

Adjust the mounting plate to increase or decrease the door height.

#### Note:

The referenced adjustment range described is the product design range. The actual design of the cabinet and the drilling method may have a certain impact on the parameters.

Plate Options: DS TS FP FS FM FN