

HM SERIES

HM Series 100° Short Arm Soft Closing Concealed Hinge for Face Frame Cabinets 3/8"



Specification

Opening Angle	100°
Function	Soft Close
Plate Type	Fixed Plate
Cup Depth	11.5 mm
Cup Diameter	35 mm
Drilling Distance	3 mm
Door Thickness	14 mm - 22 mm
Material	Cold Rolled Steel
Height Adjustment Range	4 mm
Overlay Adjustment Range	3.8 mm
Depth Adjustment Range	3 mm
Finish	Copper Nickel
Packaging	200 Units per Carton

Notable Features

- Short arm design for improved esthetics on face frame cabinets.

Cup Installation

Screw-on		Press-in	
Installation Method	Code	Installation Method	Code
Wood Screws	S2	8 mm Dowels	K5
Euro Screws	S4	10 mm Dowels	K6

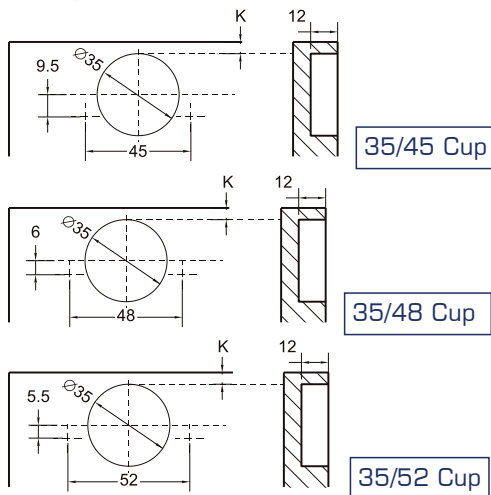
Full Overlay



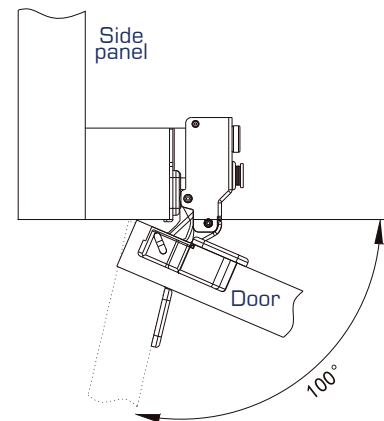
Code: HMT210J

Additional Options: PP - Individual Hinge with Screws in Sealed Bag
TP - Pair of Hinges with Screws in Sealed Bag

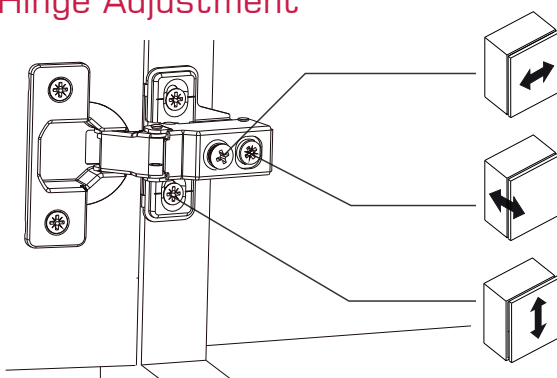
Boring Pattern



Dimensions



Hinge Adjustment



Horizontal Adjustment
Rotate the hinge arm screw to increase or decrease door overlay.

Depth Adjustment
Rotate the hinge arm cam to increase or decrease door gap.

Vertical Adjustment
Adjust the mounting plate to increase or decrease the door height.

Note:

The referenced adjustment range described is the product design range. The actual design of the cabinet and the drilling method may have a certain impact on the parameters.