

# HD SERIES

## HD Series 105° 3D Soft Closing Concealed Hinge for Face Frame Cabinets 1"



### Specification

<b>Opening Angle</b>	105°
<b>Function</b>	Soft Close
<b>Plate Type</b>	Fixed Plate
<b>Cup Depth</b>	10.9 mm
<b>Cup Diameter</b>	35 mm
<b>Drilling Distance</b>	3 mm
<b>Door Thickness</b>	14 mm - 26 mm
<b>Material</b>	Cold Rolled Steel
<b>Height Adjustment Range</b>	3 mm
<b>Overlay Adjustment Range</b>	3.8 mm
<b>Depth Adjustment Range</b>	3 mm
<b>Finish</b>	Copper Nickel
<b>Packaging</b>	200 Units per Carton

### Notable Features

- In-cup soft closing mechanism for sleek and compact design.
- Convenient 3D adjustment on hinge arm.
- Heavy duty product achieving 100,000 test cycles.

### Cup Installation

Screw-on		Press-in	
Installation Method	Code	Installation Method	Code
Wood Screws	S2	8 mm Dowels	K5
Euro Screws	S4	10 mm Dowels	K6

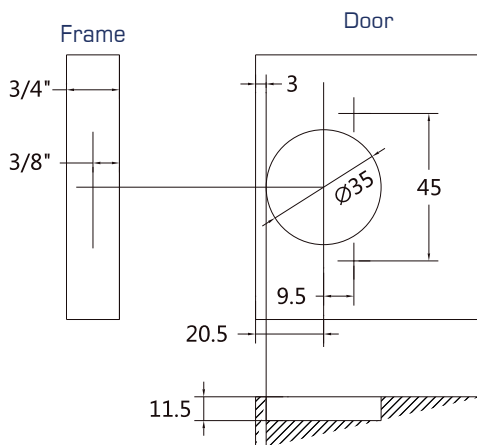


Full Overlay

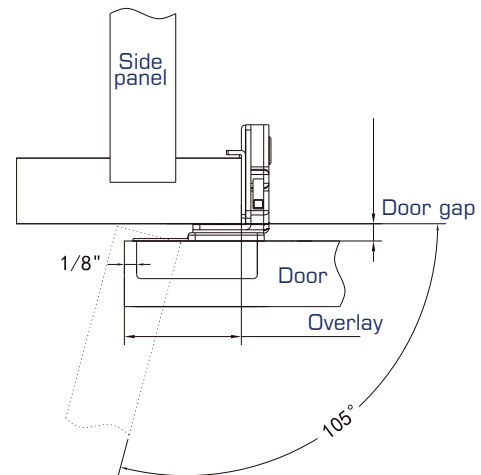
Code: HDT210E

**Additional Options:** PP - Individual Hinge with Screws in Sealed Bag  
TP - Pair of Hinges with Screws in Sealed Bag

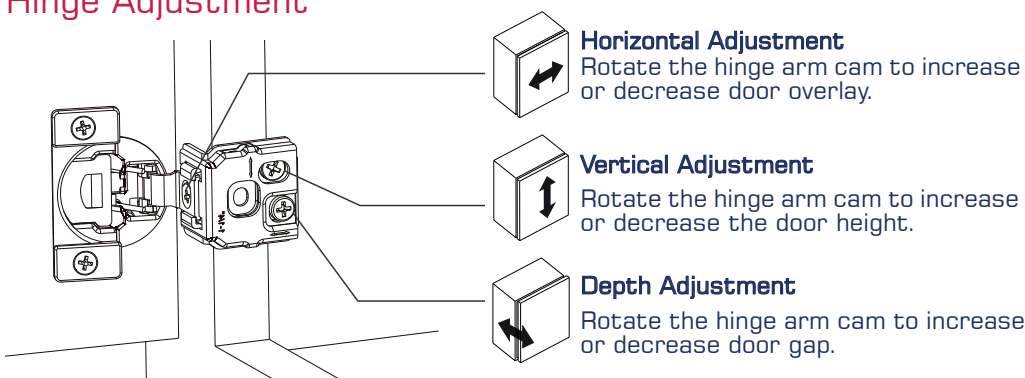
### Boring Pattern



### Dimensions



### Hinge Adjustment



#### Note:

The referenced adjustment range described is the product design range. The actual design of the cabinet and the drilling method may have a certain impact on the parameters.