

HD SERIES

HD Series 105° 3D Soft Closing Concealed Hinge for Face Frame Cabinets 1-1/4"



Specification

Opening Angle	105°
Function	Soft Close
Plate Type	Fixed Plate
Cup Depth	10.9 mm
Cup Diameter	35 mm
Drilling Distance	3 mm
Door Thickness	14 mm - 26 mm
Material	Cold Rolled Steel
Height Adjustment Range	3 mm
Overlay Adjustment Range	3.8 mm
Depth Adjustment Range	3 mm
Finish	Copper Nickel
Packaging	200 Units per Carton

Notable Features

- In-cup soft closing mechanism for sleek and compact design.
- Convenient 3D adjustment on hinge arm.
- Heavy duty product achieving 100,000 test cycles.

Cup Installation

Screw-on		Press-in	
Installation Method	Code	Installation Method	Code
Wood Screws	S2	8 mm Dowels	K5
Euro Screws	S4	10 mm Dowels	K6

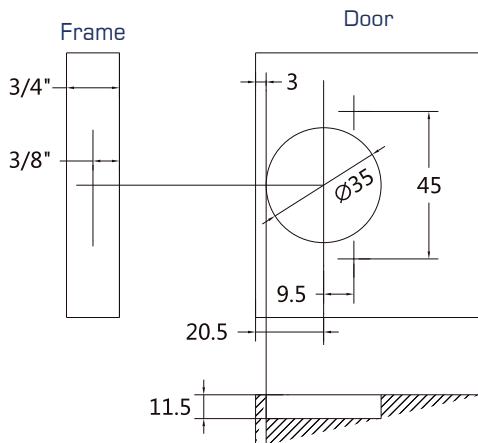


Full Overlay

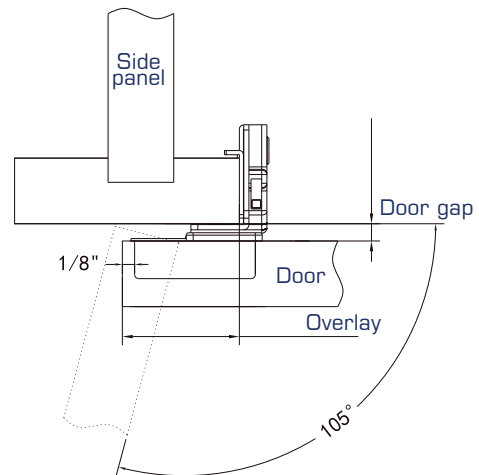
Code: HDT210A

Additional Options: PP - Individual Hinge with Screws in Sealed Bag
TP - Pair of Hinges with Screws in Sealed Bag

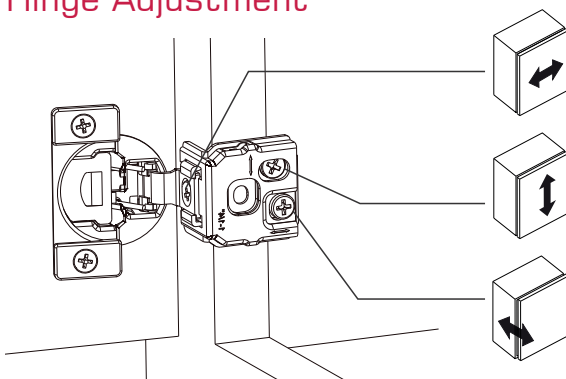
Boring Pattern



Dimensions



Hinge Adjustment



Horizontal Adjustment

Rotate the hinge arm cam to increase or decrease door overlay.

Vertical Adjustment

Rotate the hinge arm cam to increase or decrease the door height.

Depth Adjustment

Rotate the hinge arm cam to increase or decrease door gap.

Note:

The referenced adjustment range described is the product design range. The actual design of the cabinet and the drilling method may have a certain impact on the parameters.