

HD SERIES

HD Series 105° 3D Soft Closing Concealed Hinge for Face Frame Cabinets 1-1/2"



Specification

Opening Angle	105°
Function	Soft Close
Plate Type	Fixed Plate
Cup Depth	10.9 mm
Cup Diameter	35 mm
Drilling Distance	3 mm
Door Thickness	14 mm - 26 mm
Material	Cold Rolled Steel
Height Adjustment Range	3 mm
Overlay Adjustment Range	3.8 mm
Depth Adjustment Range	3 mm
Finish	Copper Nickel
Packaging	200 Units per Carton

Notable Features

- In-cup soft closing mechanism for sleek and compact design.
- Convenient 3D adjustment on hinge arm.
- Heavy duty product achieving 100,000 test cycles.

Cup Installation

Screw-on		Press-in	
Installation Method	Code	Installation Method	Code
Wood Screws	S2	8 mm Dowels	K5
Euro Screws	S4	10 mm Dowels	K6

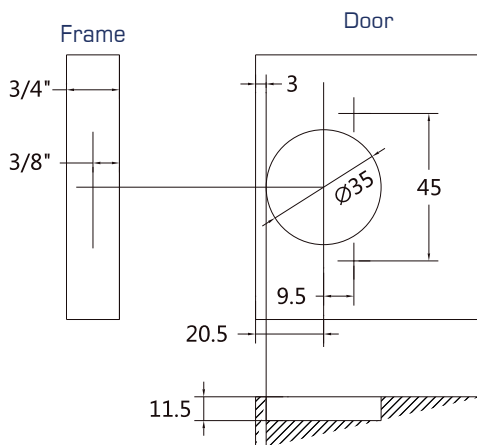


Full Overlay

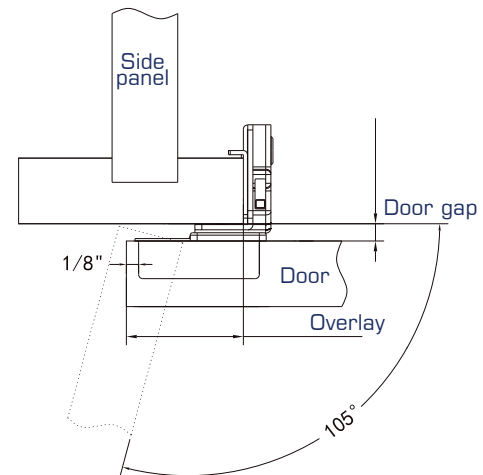
Code: HDT210G

Additional Options: PP - Individual Hinge with Screws in Sealed Bag
TP - Pair of Hinges with Screws in Sealed Bag

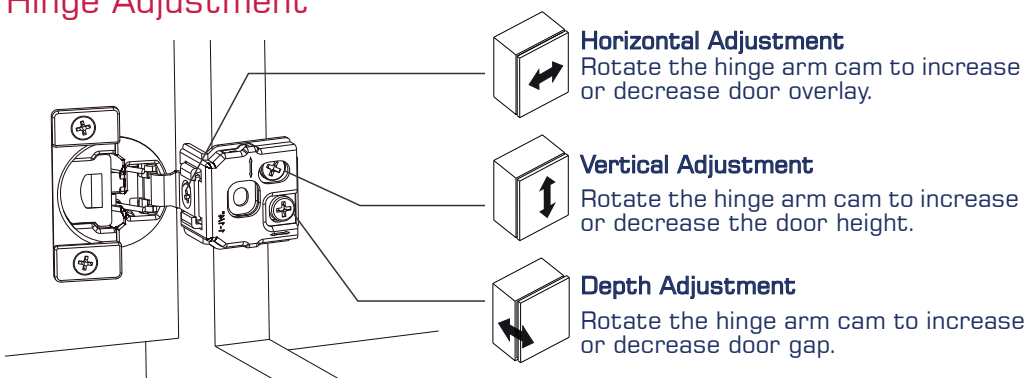
Boring Pattern



Dimensions



Hinge Adjustment



Note:

The referenced adjustment range described is the product design range. The actual design of the cabinet and the drilling method may have a certain impact on the parameters.